
TS Pouffe - Fully Upholstered, Round, Ø105

Designed by GamFratesi - 2014



ITEM NUMBER TS Pouffe - Fully Upholstered, Round, Ø105 11289

DESCRIPTION Celebrating great functionality with comfort, the TS Pouf in three sizes makes a versatile addition to any living area. The smaller size becomes handy to move around wherever an informal seat is needed, while the larger ones take on their full impact. The exclusive TS Pouf echoes the aesthetics of the TS Collection of slender metal legs and decorative detailing, originally made for the coffee tables to the restaurant The Standard in Copenhagen. In addition, the organic shape is emphasized with a decorative piping, known from other designs by GamFratesi.

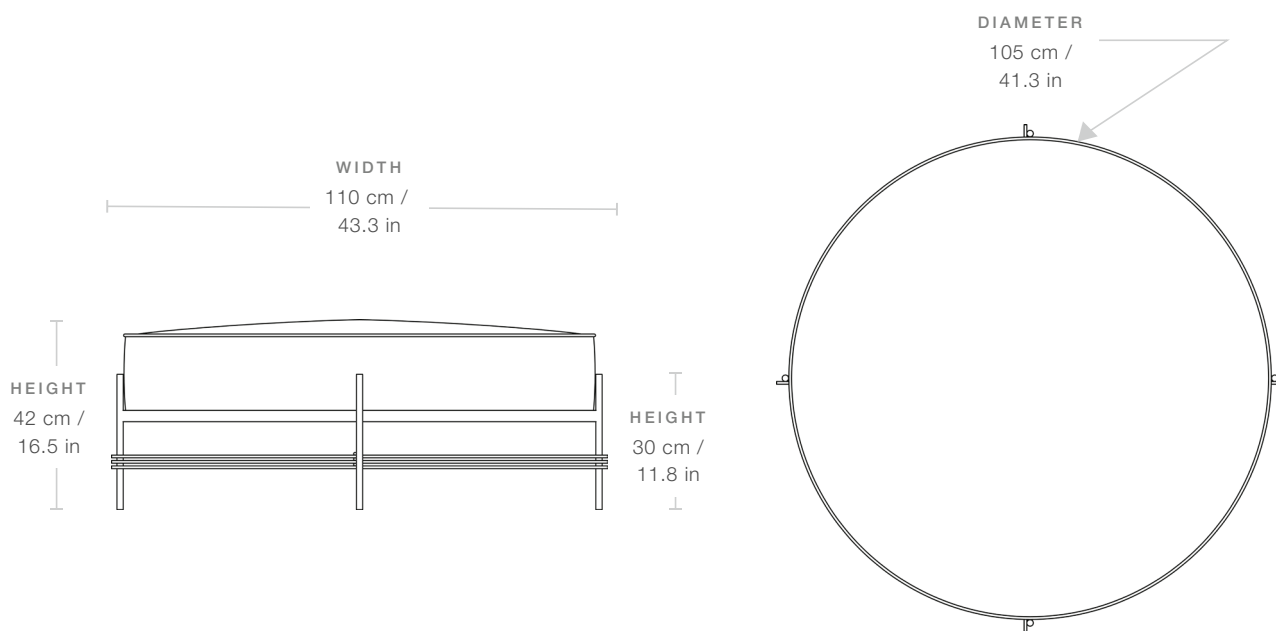
Materials & Finishes

BASE FINISH Black Matt Base, Chrome Base



MATERIALS Steel, Uphostery Fabric

Dimensions



WIDTH	110 cm / 43.3 in
DIAMETER	105 cm / 41.3 in
FRAME HEIGHT	30 cm / 11.8 in
SEAT HEIGHT	42 cm / 16.5 in
LEG THICKNESS	1.4 cm / 0.6 in

Weight

TOTAL WEIGHT	19 kg / 41.9 lbs
LEGS WEIGHT	5.3 kg / 11.7 lbs
UPHOLSTERY WEIGHT	22.9 kg / 50.5 lbs

Packaging

NUMBER OF PARCELS 2

PARCEL 1 (FRAME)

PACKAGING LENGTH 82 cm / 32.3 in

PACKAGING WIDTH 82 cm / 32.3 in

PACKAGING HEIGHT 34 cm / 13.4 in

PARCEL 2 (UPHOLSTERY)

PACKAGING LENGTH	110 cm / 49.2 in
PACKAGING WIDTH	110 cm / 49.2 in
PACKAGING HEIGHT	25 cm / 9.8 in
PACKAGING WEIGHT	2.15 kg / 4.7 lbs
GROSS WEIGHT	21.15 kg / 46.6 lbs

SUSTAINABILITY	Parts can be separated and sorted for recycling Beetle shells are made of 100% recyclable PP.
----------------	---

Glides

PLASTIC GLIDES	Included as standard
FELT GLIDES	Available on request