

---

## Private, Sideboard

Designed by Space Copenhagen - 2018

---



---

**ITEM NUMBER**

39665

**DESCRIPTION**

The Private Collection is a dedicated exercise in clean lines, symmetry and tonal restraint – calm and composed, but undeniably generous in its expression. The visual simplicity and careful balance of dimensions and materials enable each piece to feature in any room of the home and to fit seamlessly into a range of different interior styles.

Concealed storage is offered by the Private Sideboard, a horizontal form designed to sit neatly against a wall in living room, dining room or bedroom, or to be deployed back-to-back with another unit. Its four symmetrical soft-close drawers provide substantial space in a way that is both practical and functional, while retaining refinement in their execution. The top can be used as an elegant surface on which to showcase ornaments, objects and artworks.

---

### Materials & Finishes

**MAIN MATERIAL/FINISH**

Brown/Black, Light Oak



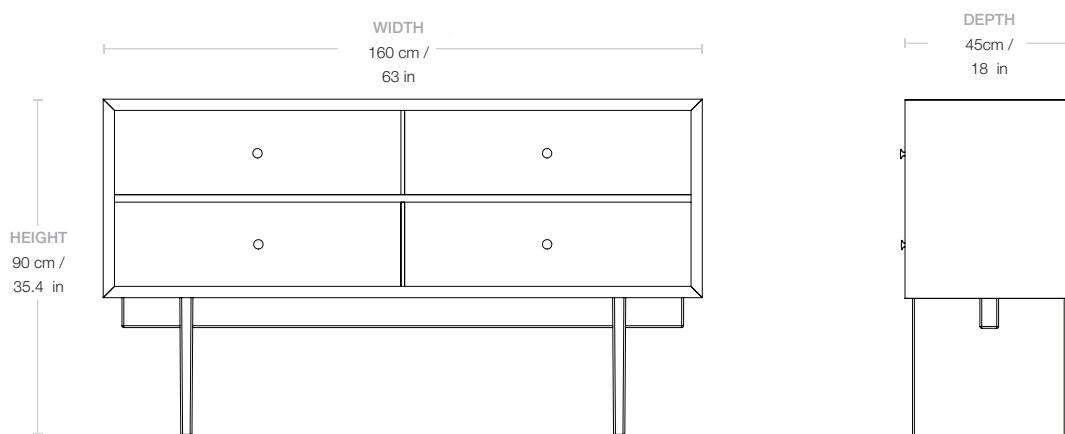
**HANDLES MATERIAL/FINISH**

Antique Brass

**MATERIALS**

Oak veneer, MDF, Brass

## Dimensions



|               |                 |
|---------------|-----------------|
| <b>WIDTH</b>  | 160 cm / 63 in  |
| <b>DEPTH</b>  | 45 cm / 18 in   |
| <b>HEIGHT</b> | 90 cm / 35.4 in |

## Weight

|                     |                  |
|---------------------|------------------|
| <b>TOTAL WEIGHT</b> | 104 kg / 229 lbs |
|---------------------|------------------|

## Packaging

|                          |                  |
|--------------------------|------------------|
| <b>NUMBER OF PARCELS</b> | 1                |
| <b>PACKAGING LENGTH</b>  | 171 cm / 67.3 in |
| <b>PACKAGING WIDTH</b>   | 56 cm / 22 in    |
| <b>PACKAGING HEIGHT</b>  | 112 cm / 44 in   |
| <b>PACKAGING WEIGHT</b>  | 74 kg / 29 lbs   |

**GROSS WEIGHT** 178 kg / 392.4 lbs

---

## Test & Certifications

**TSCA** Yes

**ASTM F2057-19** Standard Safety Specification for Clothing Storage Units.

**ASTM F3096-14** Standard Performance Specification for Tip-over Restraint(s) Used with Clothing Storage Unit(s).

---

**SUSTAINABILITY** Our products are made to last however parts can be separated and sorted for recycling. 100% of our wood products are manufactured to comply with EUTR.

---

## Glides

**FELT GLIDES** Included as standard

---