

# Audo

COPENHAGEN



HARBOUR DINING CHAIR, STEEL BASE  
Designed by *Norm Architects*



HARBOUR DINING CHAIR, STEEL BASE, PLASTIC  
Designed by *Norm Architects*

Dining chair with bare shell set on a powder coated steel base.

PRODUCT OPTIONS

*Plastic shell*



BLACK

BURNED RED

KHAKI



LIGHT GREY

OLIVE

WHITE

*Powder coated steel base*



BLACK STEEL



TECHNICAL SPECIFICATIONS

PRODUCT TYPE  
Dining chair

COLLI  
1

ENVIRONMENT  
Indoor

DIMENSIONS  
H: 81 cm / 31,9"  
SH: 48 cm / 18,8"  
AH: 67,5 cm / 26,6"  
D: 55,5 cm / 21,9"  
W: 58,5 cm / 23"

PRODUCTION PROCESS  
The shell is made from injection moulded polypropylene with fibreglass. Steel base is made from bent powder coated steel tubes.

COLOUR

*Shell*  
Black (RAL 9011)  
Burned red (RAL 8015)  
Khaki (RAL 1011)  
Light grey (RAL 9002)  
Olive (RAL 7002)  
White (RAL 9016)

*Steel base*  
Black (RAL9005)

GLOSS  
Gloss 10-20

MATERIALS

*Shell*  
85% polypropylene, 15% fibreglass

*Steel base*  
Powder coated steel

WEIGHT  
13 kg / 28,7 lb

TEST  
EN1022:2005, L2  
EN16139:2013, L2  
ANSI: BIFMA X5.4

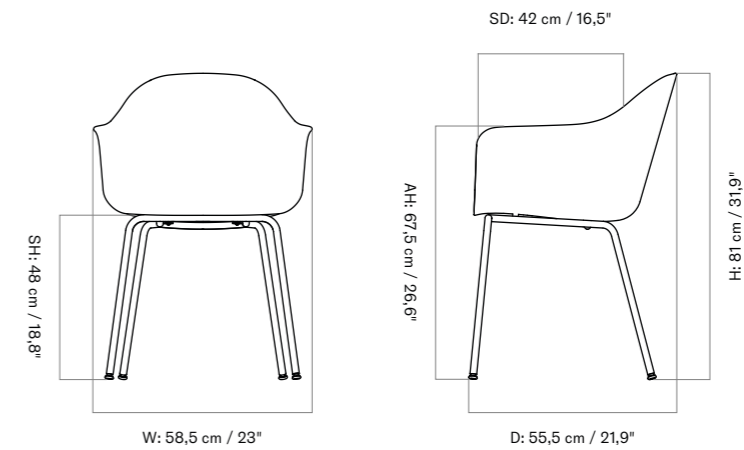
CERTIFICATIONS

**Declare.**

PACKAGING TYPE  
Brown box

PACKAGING MEASUREMENTS  
(H x W x D)  
86 cm x 62 cm x 65 cm /  
34" x 24,4" x 25,6"

MATERIALS & MAINTENANCE  
Please visit [audocph.com](http://audocph.com) for materials, care and maintenance instructions.





HARBOUR DINING CHAIR, STEEL BASE, UPHOLSTERED  
Designed by *Norm Architects*

Dining chair with upholstered shell set on a powder coated steel base. All Harbour chairs have been upgraded with extra foam in the seat for better sitting comfort, increasing from 15 mm in thickness to 25 mm.

PRODUCT OPTIONS

*Shell*



WITH UPHOLSTERY

*Powder coated steel base*



BLACK STEEL

*Spec options*

Available in fabrics from our upholstery programme. Standard lead times apply.

For custom upholstery, please refer to the guiding textile/leather consumption:

COM: 1,7 m / 1,87 yds

COL: 3 m<sup>2</sup> / 32,31 sqft

Prices excl. custom upholstery are equal to Price Category 1 Textile or Leather. Contact Sales support for approval of custom upholstery and to place your order.

The above textile consumption is only valid for textile rolls with a width equal to or greater than 140 cm. For smaller textile rolls, please contact Sales Support for guidance. For textile with pattern, please expect a higher usage for correct pattern fitting. Please contact Sales Support for guidance.



TECHNICAL SPECIFICATIONS

PRODUCT TYPE  
Dining chair

COLLI  
1

ENVIRONMENT  
Indoor

DIMENSIONS  
H: 81 cm / 31,9"  
SH: 48 cm / 18,8"  
AH: 67,5 cm / 26,6"  
D: 55,5 cm / 21,9"  
W: 58,5 cm / 23"

PRODUCTION PROCESS  
The shell is made from injection moulded polypropylene with fibreglass. Steel base is made from bent powder coated steel tubes.

COLOUR

*Shell with upholstery*  
Dependent upon selected upholstery

*Steel base*  
Black (RAL9005)

GLOSS  
Gloss 10-20

MATERIALS

*Shell*  
85% polypropylene, 15% fibreglass

*Upholstered shell foam*  
CAL117 50 kg / 50N and 40 kg / 60N

*Steel base*  
Powder coated steel

WEIGHT  
13 kg / 28,7 lb

TEST

EN1022:2005, L2  
EN16139:2013, L2  
ANSI: BIFMA X5.4

CERTIFICATIONS

**Declare.**

PACKAGING TYPE  
Brown box

PACKAGING MEASUREMENTS  
(H x W x D)  
86 cm x 62 cm x 65 cm /  
34" x 24,4" x 25,6"

MATERIALS & MAINTENANCE  
Please visit [audocph.com](http://audocph.com) for materials, care and maintenance instructions.

