

Audo

COPENHAGEN



HARBOUR COUNTER CHAIR

Designed by *Norm Architects & Els Van Hoorebeeck*



HARBOUR COUNTER CHAIR, PLASTIC
Designed by *Norm Architects & Els Van Hoorebeeck*

Counter chair with bare shell set on a powder coated steel base with footrest.

PRODUCT OPTIONS

Plastic shell



BLACK

BURNED RED

KHAKI



LIGHT GREY

OLIVE

WHITE

Powder coated steel base



BLACK STEEL



TECHNICAL SPECIFICATIONS

PRODUCT TYPE
Counter and bar chair

COLLI
1

ENVIRONMENT
Indoor

DIMENSIONS
H: 102 cm / 40"
SH: 68 cm / 26,7"
AH: 88,5 cm / 35"
D: 55,5 cm / 21,9"
W: 58,5 cm / 23"

PRODUCTION PROCESS
The shell is made from injection-moulded polypropylene with fibreglass. The steel base is made of bent powder coated steel tubes with a MIG-welded footrest.

COLOUR

Shell without upholstery
Black (RAL 9011)
Burned red (RAL 8015)
Khaki (RAL 1011)
Light grey (RAL 9002)
Olive (RAL 7002)
White (RAL 9016)

Base
Black (RAL 9005)

GLOSS
Gloss 10-20

MATERIALS

Shell
85% polypropylene, 15% fibreglass

Base
Powder coated steel

WEIGHT
14 kg / 30,9 lb

TEST
EN1022:2005, L2
EN16139:2013, L2

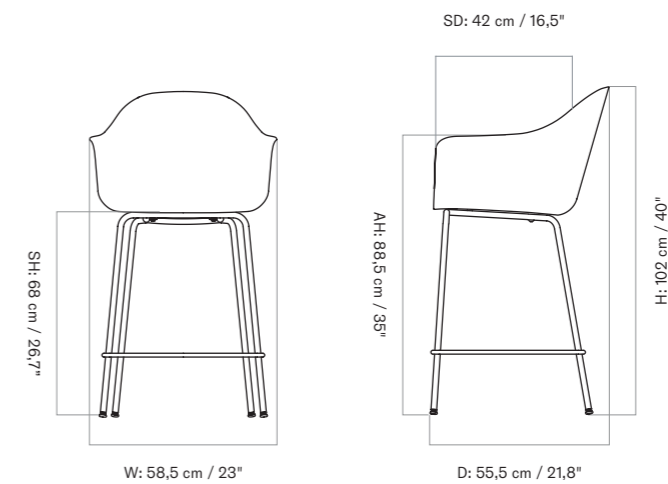
CERTIFICATIONS

Declare.

PACKAGING TYPE
Brown box

PACKAGING MEASUREMENTS
(H x W x D)
114 cm x 65 cm x 62 cm /
44,9" x 25,6" x 24,4"

MATERIALS & MAINTENANCE
Please visit audocph.com for materials, care and maintenance instructions.





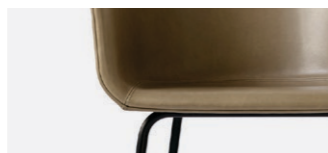
HARBOUR COUNTER CHAIR, UPHOLSTERED
Designed by *Norm Architects*

Counter chair with upholstered shell set on a powder coated steel base with footrest. All Harbour chairs have been upgraded with extra foam in the seat for better sitting comfort, increasing from 15 mm in thickness to 25 mm.



PRODUCT OPTIONS

Shell



WITH UPHOLSTERY

powder coated steel base



BLACK STEEL

Spec options

Available in fabrics from our upholstery programme. Standard lead times apply.

For custom upholstery, please refer to the guiding textile/leather consumption:

COM: 1,7 m / 1,87 yds

COL: 3 m² / 32,31 sqft

Prices excl. custom upholstery are equal to Price Category 1 Textile or Leather. Contact Sales support for approval of custom upholstery and to place your order.

The above textile consumption is only valid for textile rolls with a width equal to or greater than 140 cm. For smaller textile rolls, please contact Sales Support for guidance. For textile with pattern, please expect a higher usage for correct pattern fitting. Please contact Sales Support for guidance.

PRODUCT TYPE
Counter and bar chair

COLLI
1

ENVIRONMENT
Indoor

DIMENSIONS
H: 102 cm / 40"
SH: 68 cm / 26,7"
AH: 88,5 cm / 35"
D: 55,5 cm / 21,9"
W: 58,5 cm / 23"

PRODUCTION PROCESS
The shell is made from injection-moulded polypropylene with fibreglass. The steel base is made of bent powder coated steel tubes with a MIG-welded footrest.

TECHNICAL SPECIFICATIONS

COLOUR

Shell with upholstery
Dependent upon selected upholstery

Base
Black (RAL 9005)

GLOSS
Gloss 10-20

MATERIALS

Shell
85% polypropylene, 15% fibreglass

Upholstered shell foam
CAL117 50 kg / 50N and 40 kg / 60N

Base
Powder coated steel

WEIGHT
14 kg / 30,9 lb

TEST
EN1022:2005, L2
EN16139:2013, L2

CERTIFICATIONS

Declare.

PACKAGING TYPE
Brown box

PACKAGING MEASUREMENTS
(H × W × D)
114 cm × 65 cm × 62 cm /
44,9" × 25,6" × 24,4"

MATERIALS & MAINTENANCE
Please visit audocph.com for materials, care and maintenance instructions.

