

## Gravity Pendant - Ø60, Large, Antique Brass

Designed by Space Copenhagen - 2019



ITEM NUMBER	Gravity Pendant - Ø60, Large, Antique Brass (Canvas), EU	10035505
	Gravity Pendant - Ø60, Large, Antique Brass (White), EU	10035506

**DESCRIPTION** With its light weight, the Gravity Pendant blends understated elegance, clean functionality and effortless in its own succinct and simple way. Designed by the award-winning design duo Space Copenhagen, the Gravity Pendant is a timeless yet modern luminaire, which creates a calm, tranquil atmosphere throughout a space.

### Materials & Finishes

**SHADE FINISH** Canvas (Canvas) - Textile; White (White)-Textile



**BASE FINISH** Antique Brass (Antique brass / Matt)



<b>CANOPY FINISH</b>	Blackened Steel (Blackened steel / Gloss 10)
<b>CORD SHAPE</b>	Round
<b>CORD COLOUR</b>	Black textile
<b>MATERIALS</b>	Textile, steel, brass, cable

---

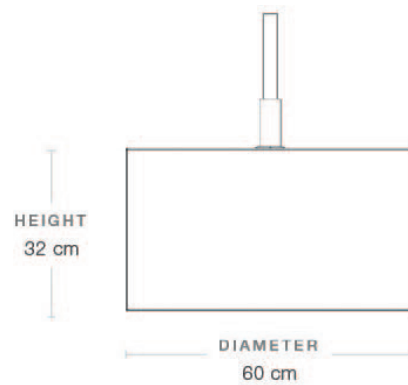
## Dimensions & Weight

<b>SHADE DIAMETER</b>	Ø60 cm
<b>SHADE HEIGHT</b>	32 cm
<b>TOTAL WEIGHT</b>	1,530 kg

---

## Packaging

<b>NUMBER OF PARCELS</b>	1
<b>PACKAGING LENGTH</b>	41.5cm
<b>PACKAGING WIDTH</b>	25.5 cm
<b>PACKAGING HEIGHT</b>	21 cm
<b>PACKAGING WEIGHT</b>	0,540 kg
<b>GROSS WEIGHT</b>	2,070 kg



## Electrical Specifications

<b>BULB SOCKET</b>	E27
<b>RECOMMENDED BULB</b>	7-8W LED, 810 Lumen, dimmable
<b>VOLTAGE</b>	240V
<b>BULB INCLUDED</b>	No

---

## Test & Certifications

<b>CERTIFICATION</b>	  
<b>ISOLATION CLASS</b>	II
<b>IP CLASSIFICATION</b>	20