

Enigma 545

The fixture emits glare-free, soft, comfortable downward light. The shade design ensures even illumination of the surface. The matt upper surface diffuses the light, while the glossy lower surface ensures optimal reflection.



Sinatur Hotel



RealDania

Product info

Mounting

Suspension type: Cable 2x0,75mm². Canopy: Yes. Cable length: 3m

Finish

Brushed aluminium, clear coated or black wet painted. Shades: White or black acrylic.

Materials

Cone and pendant tube: Lacquered or wet painted brushed aluminium. Wire: Stainless steel. Shades: Acrylic.

Sizes and weights

Width x Height x Length (mm) | 545 x 970 x 545 Max 2.1 kg

Class

Ingress protection IP20. Electric shock protection II w/o ground.

Light source

1x40W GU10

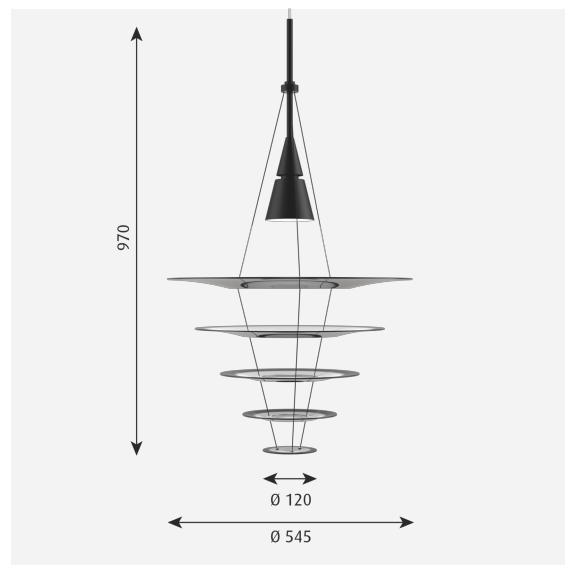
Product family



Enigma 425



Enigma 825



Product variants

Colour	Cable type	Light source
● Black	BLK PL	1x40W GU10
● Br. alu	TRANSP CABLE	

Design

Shoichi Uchiyama

Weight

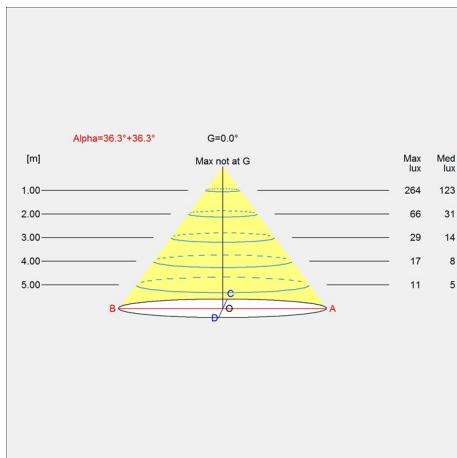
Min: 1.78 kg Max: 2.125 kg

Finish

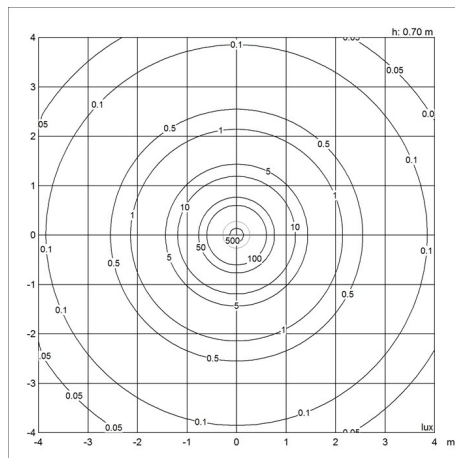
Black, Br. alu

Light distribution diagrams

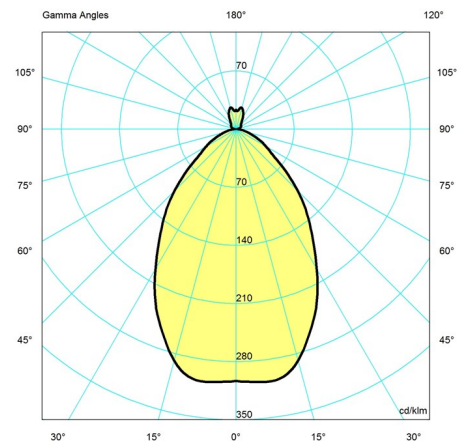
Cartesian



Isolux



Polar



Spare parts & accessories

Product	Variant number
CANOPY WHITE 2-PART, TOPHAT ®	5749329034
CANOPY BLACK 2-PART, TOPHAT ®	5749329021
ENIGMA PENDANT, SHADE 120 W/BUSH. WHITE	5741086786
ENIGMA PENDANT, SHADE 210 WHITE	5741086799
ENIGMA PENDANT, SHADE 310 WHITE	5741086809
ENIGMA PENDANT, SHADE 422 WHITE	5741086812
ENIGMA PENDANT, SHADE 545 WHITE	5741087099
ENIGMA PENDANT SHADE 120 W/BUSH. BLK	5741088878
ENIGMA PENDANT SHADE 210 BLK	5741088881
ENIGMA PENDANT SHADE 310 BLK	5741088894
ENIGMA PENDANT SHADE 422 BLK	5741088904
ENIGMA PENDANT SHADE 545 BLK	5741088917
ENIGMA 545 SUSP 3M CABLE W/SOCKET BLK	5741088807
ENIGMA 545 SUSP 3M CABLE W/SOCKET ALU	5741088810